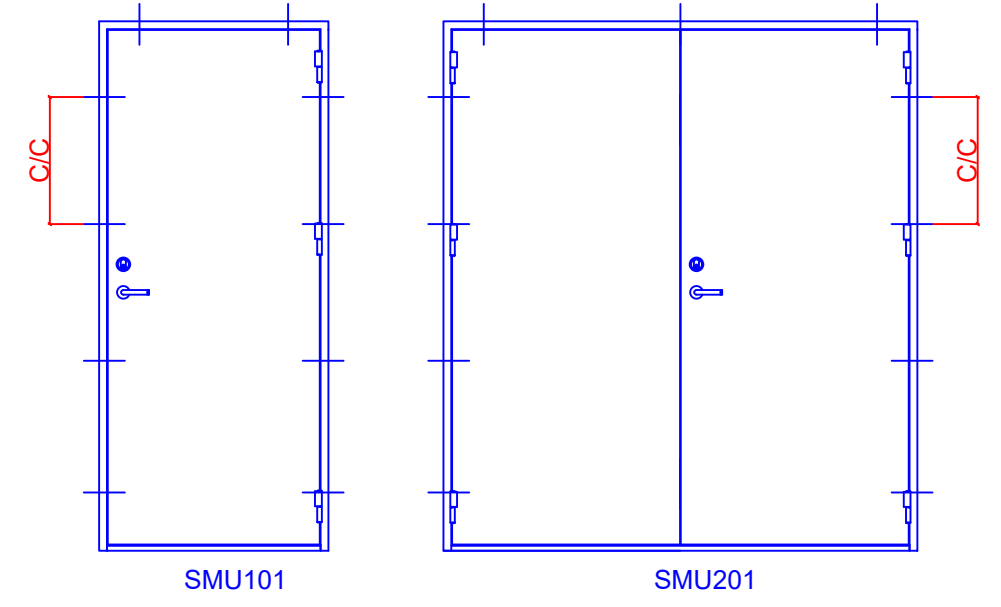
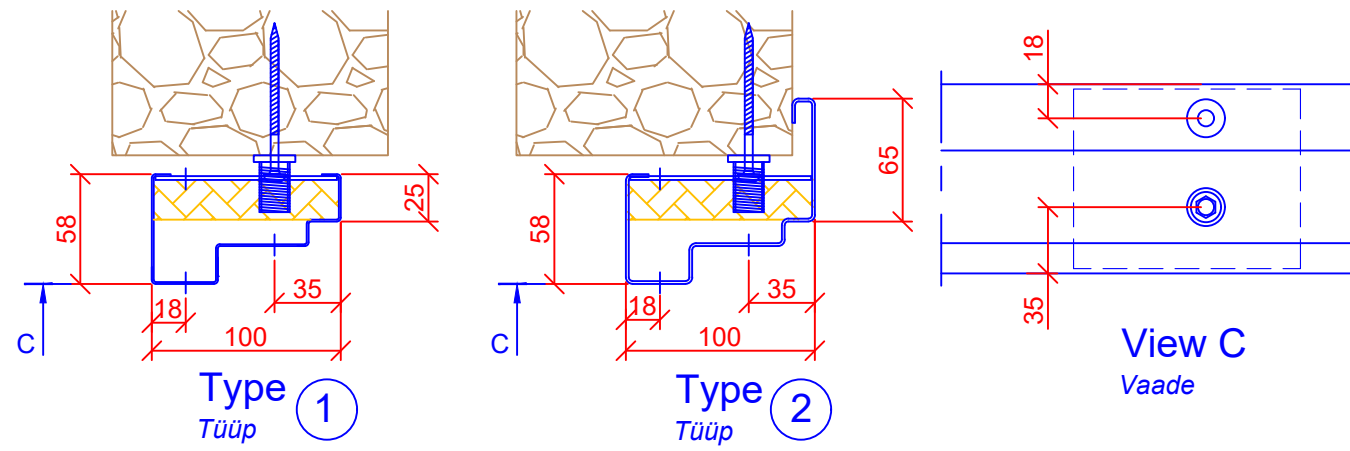


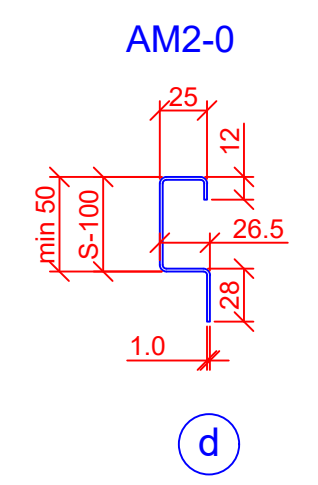
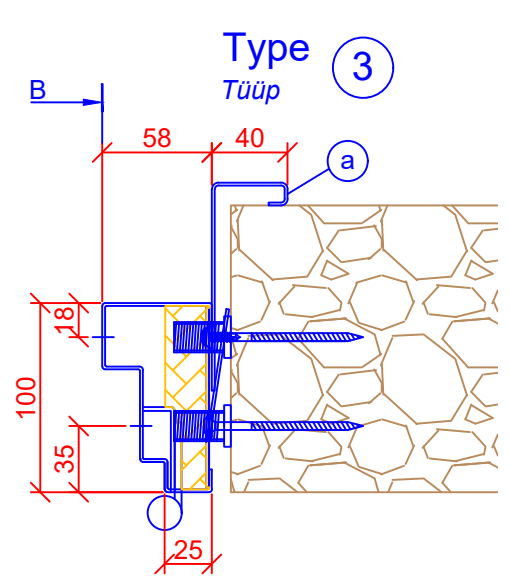
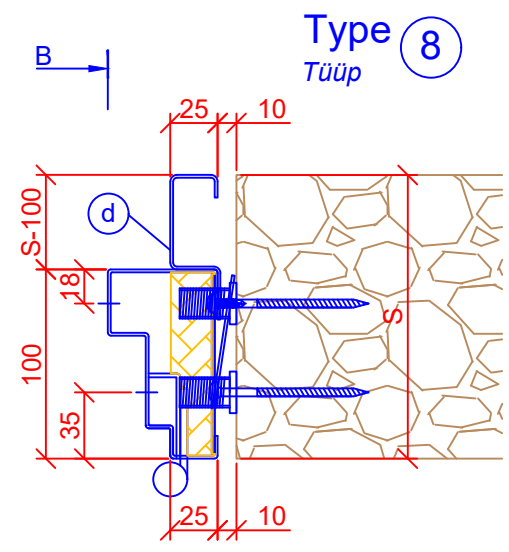
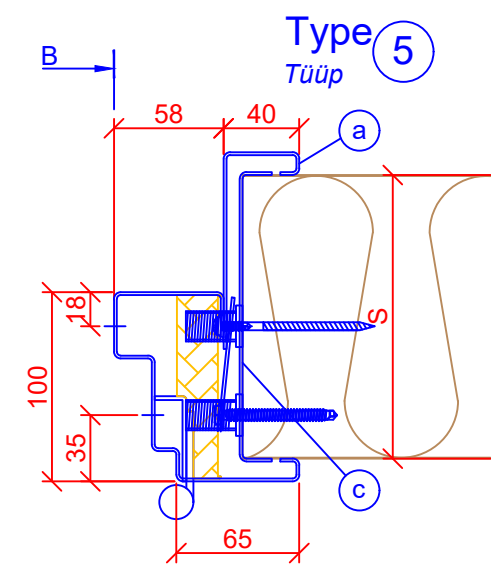
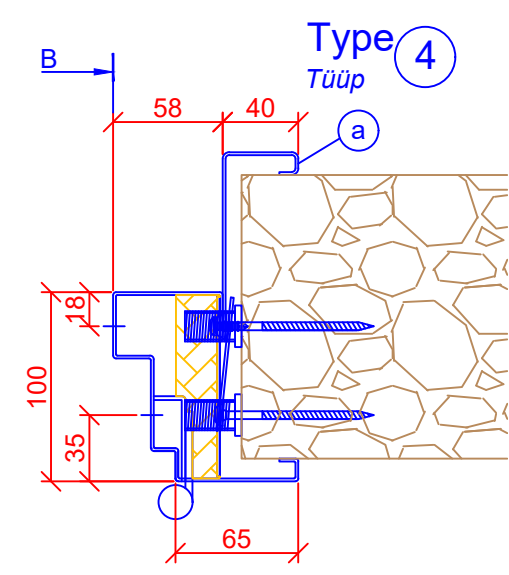
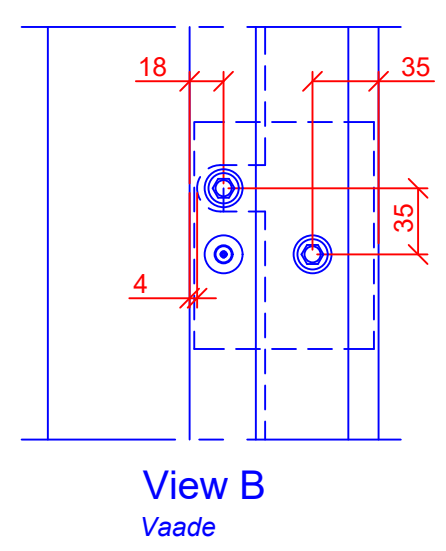
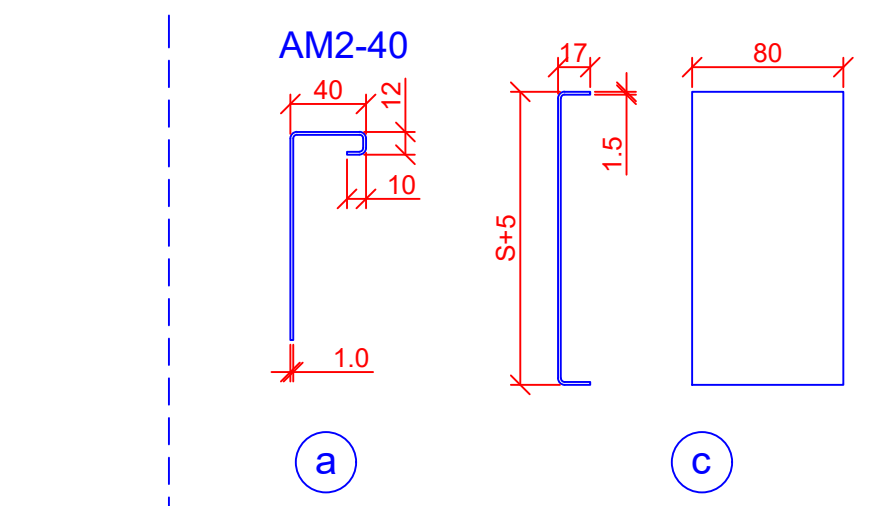
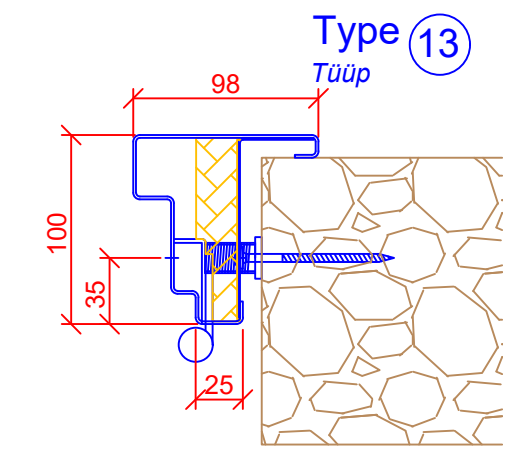
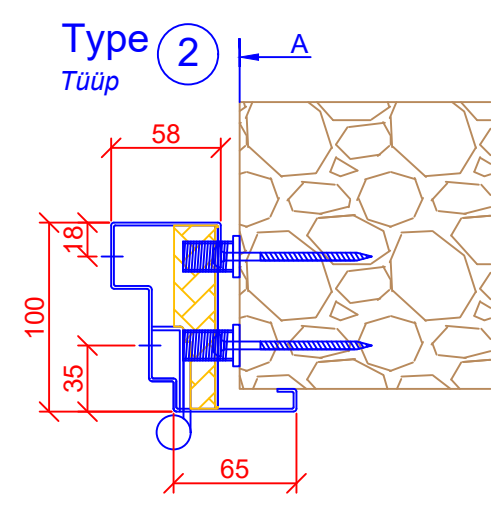
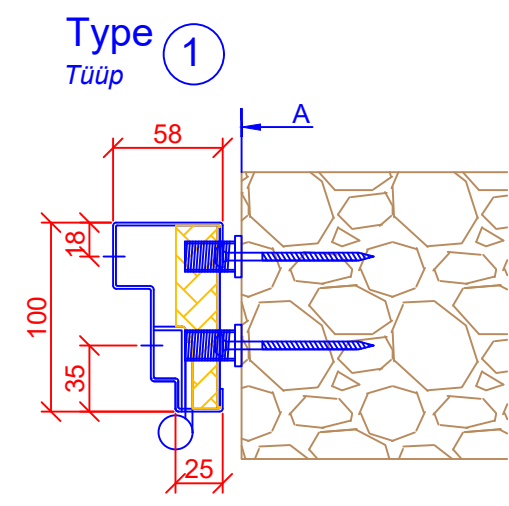
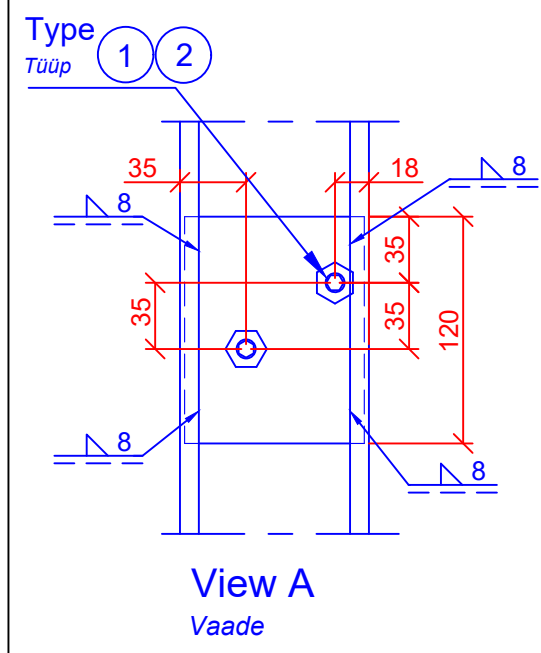
Top frame, types 3-5 has same fixing as side frame

Ülaleng, tüüpidel 3-5 sama kinnitus mis küljelengil

C/C:
 *Holes C/C > 650 => +1 hole
 *Holes C/C < 400 => -1 hole
 *Min 2 holes



Side frame Küljeleng



	Drawing no:	MT15007	Rev.:	D
	Product:	Flush metal door / silemetalluks SMU101, SMU201 fixing with installation sleeve / Adjufix kinnitusviisid		
Designer:	Drawing type:	Type drawing / tüüppoonis	Date:	02.04.2018