

Fitting Instruction

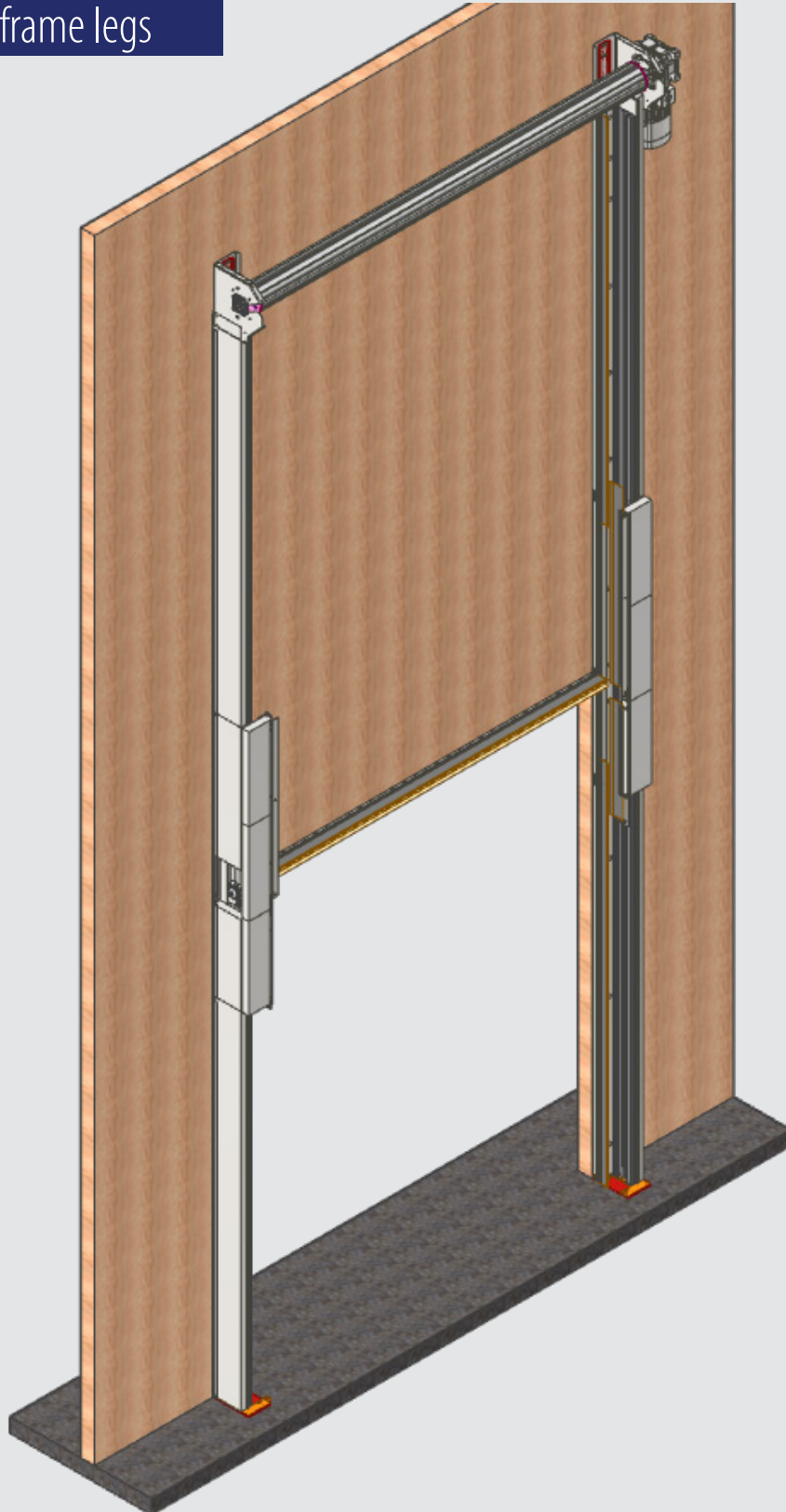
AVR1001F



Fitting Instruction

AVR1001F

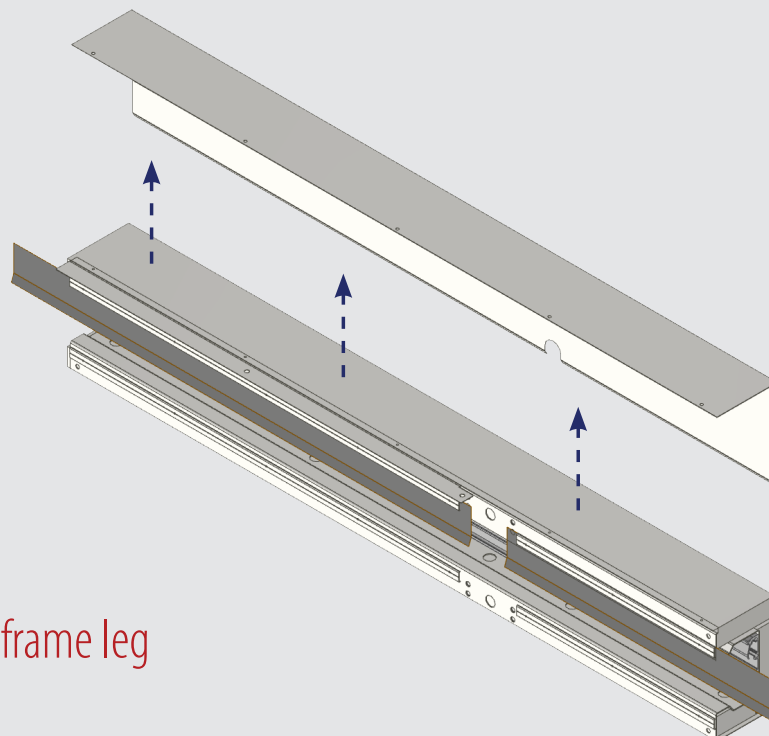
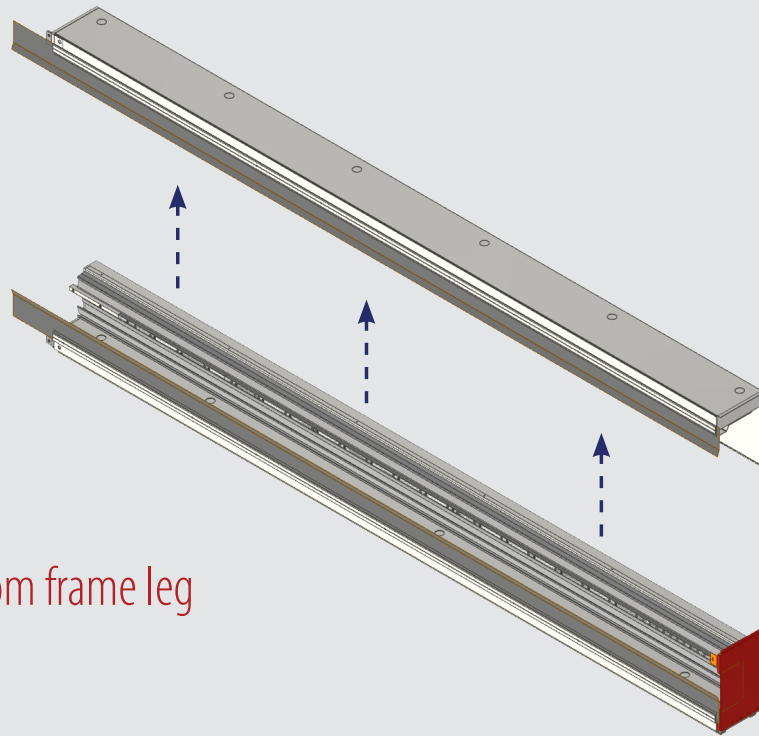
Assembly of the frame legs



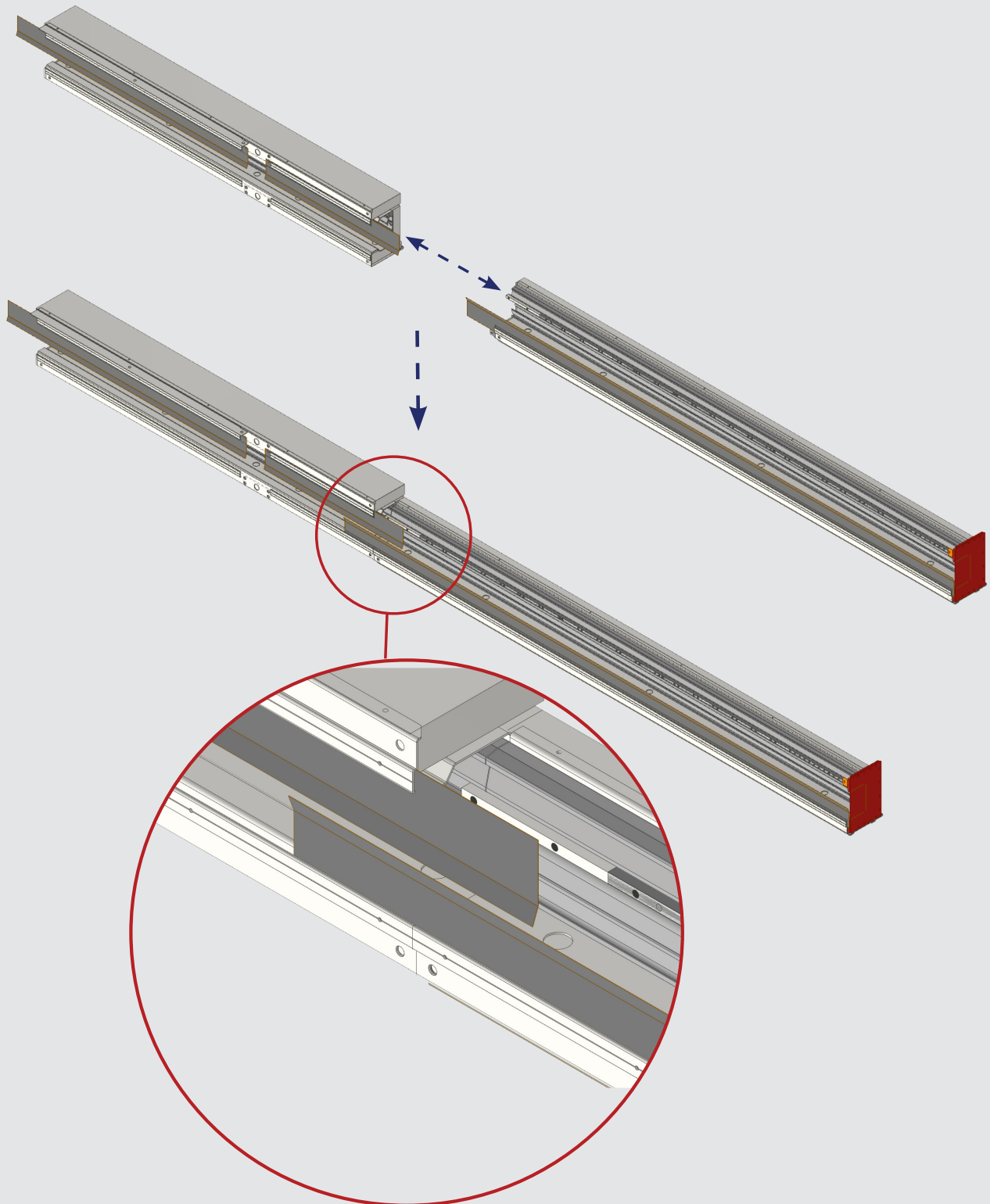
Fitting Instruction

AVR1001F

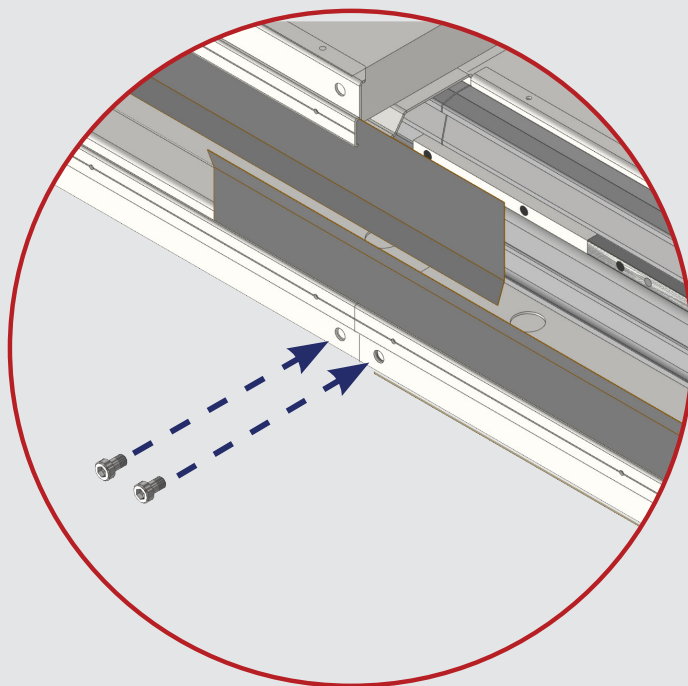
1 / Dismantle the outer part of the frame leg including the insulation bats



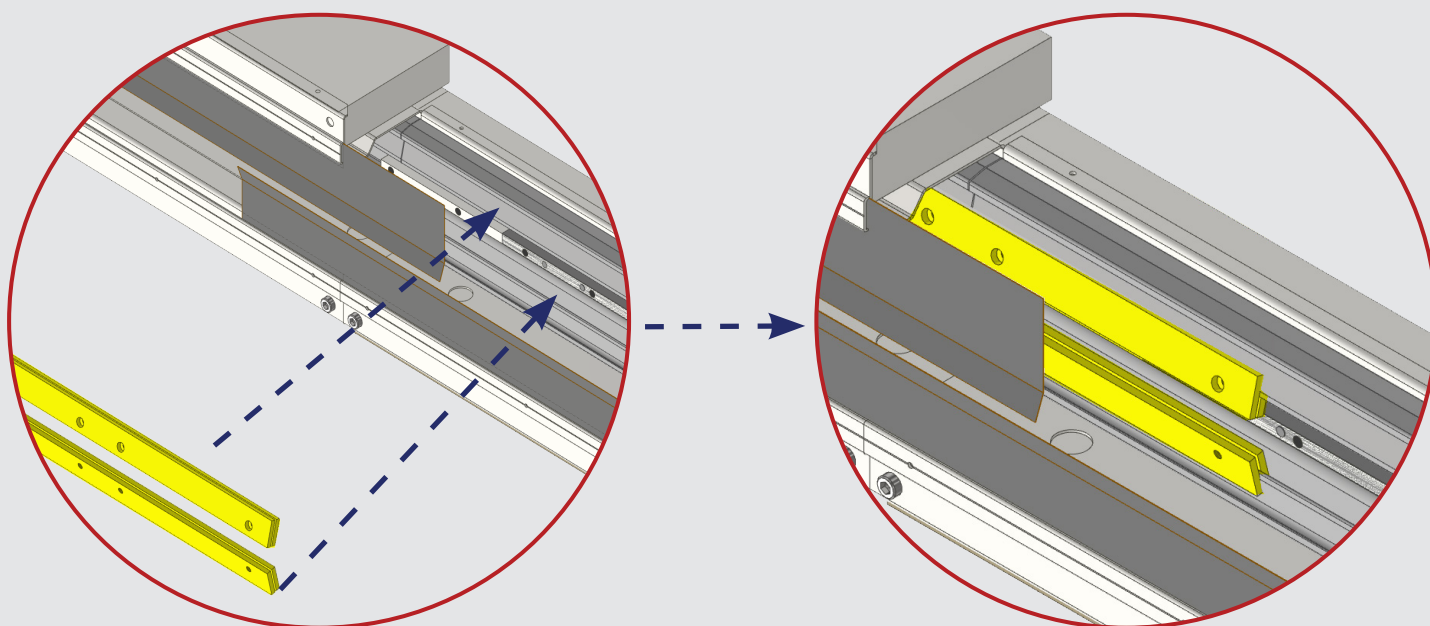
2 / Assemble the bottom and the middle frame legs



3 / Screw the bottom and middle frame together with bolts



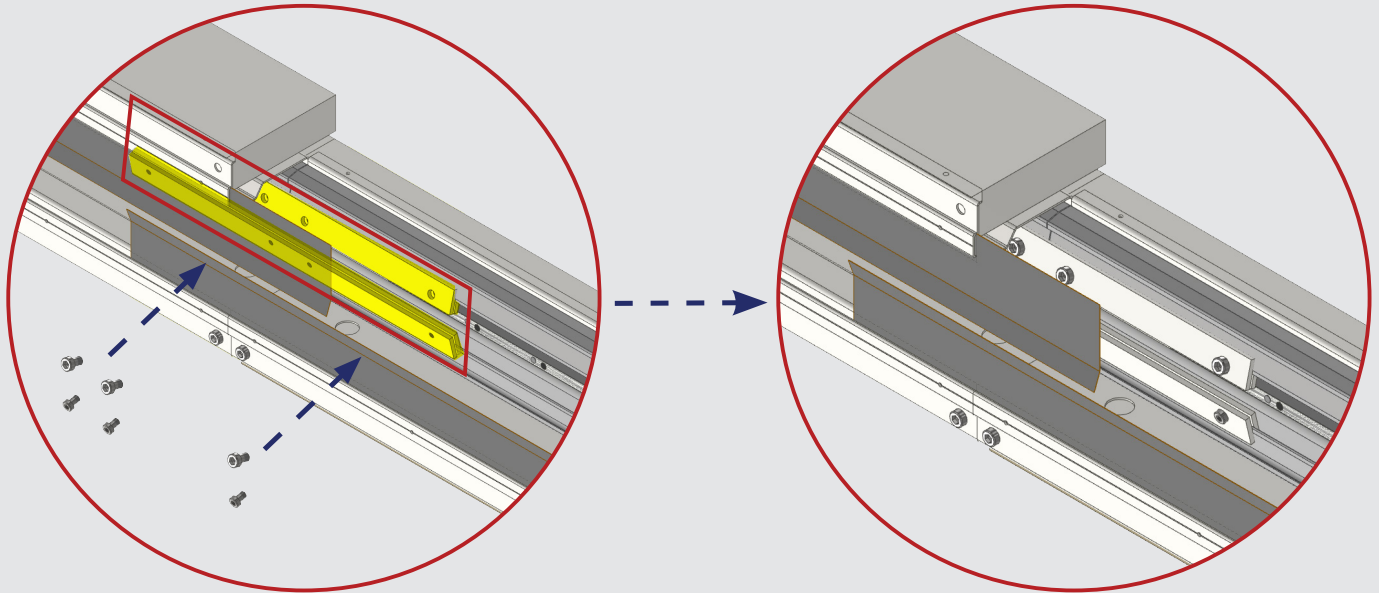
4 / Mount reinforcement brackets on the aluminum profiles



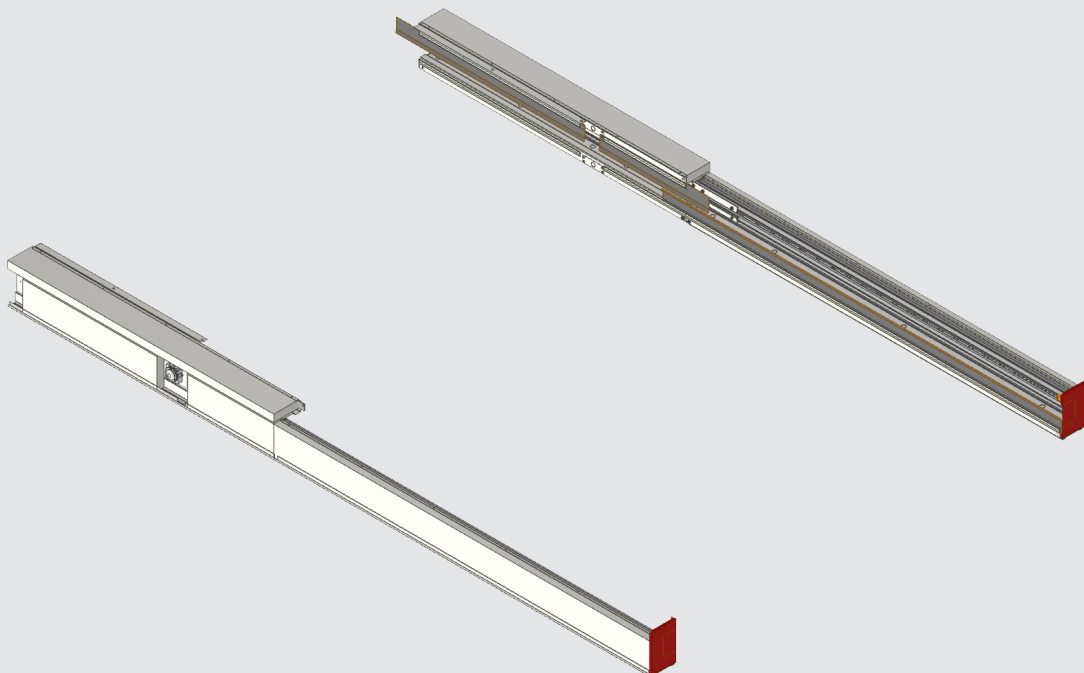
Fitting instruction

AVR1001F

5 / Attach the reinforcement brackets with screws



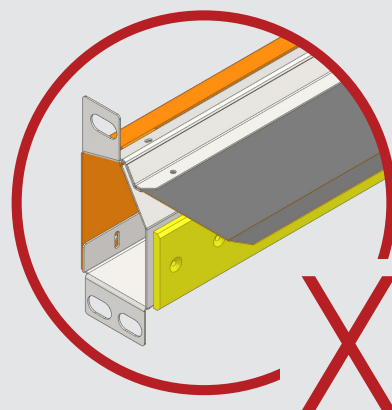
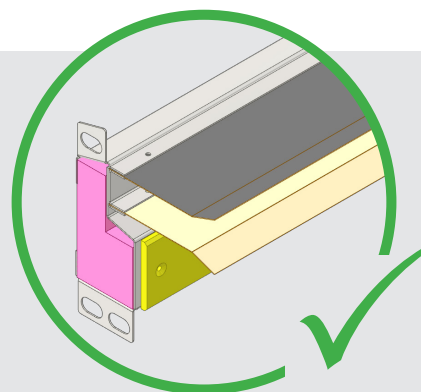
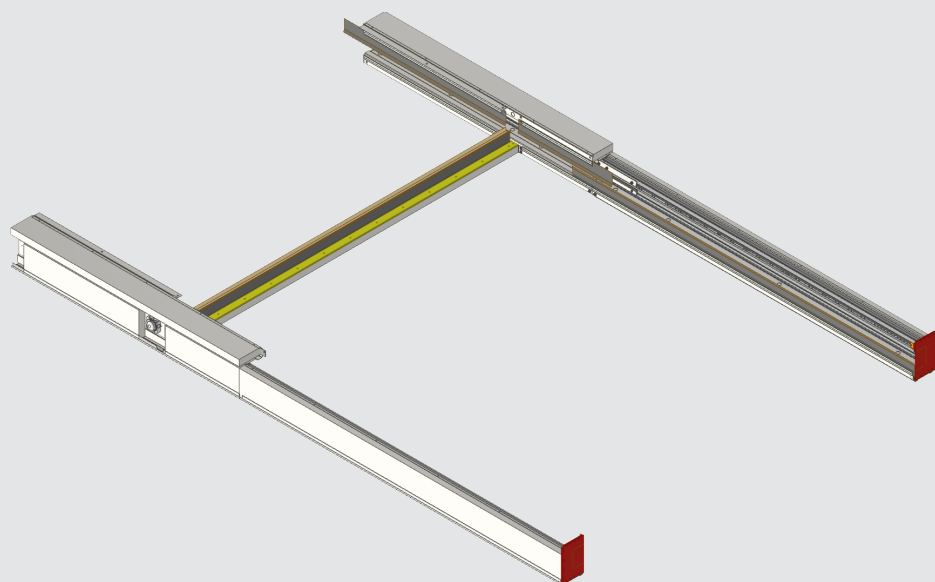
6 / Same procedure for the other frame leg



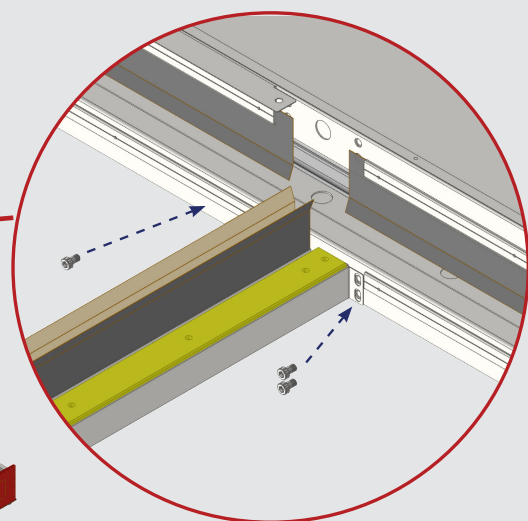
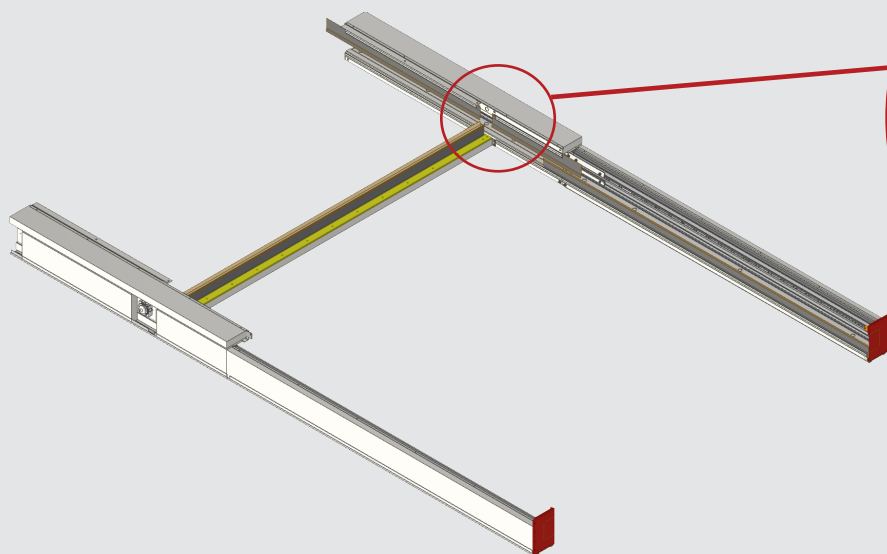
Fitting instruction

AVR1001F

7 / Place the inner frame top between the two frame legs



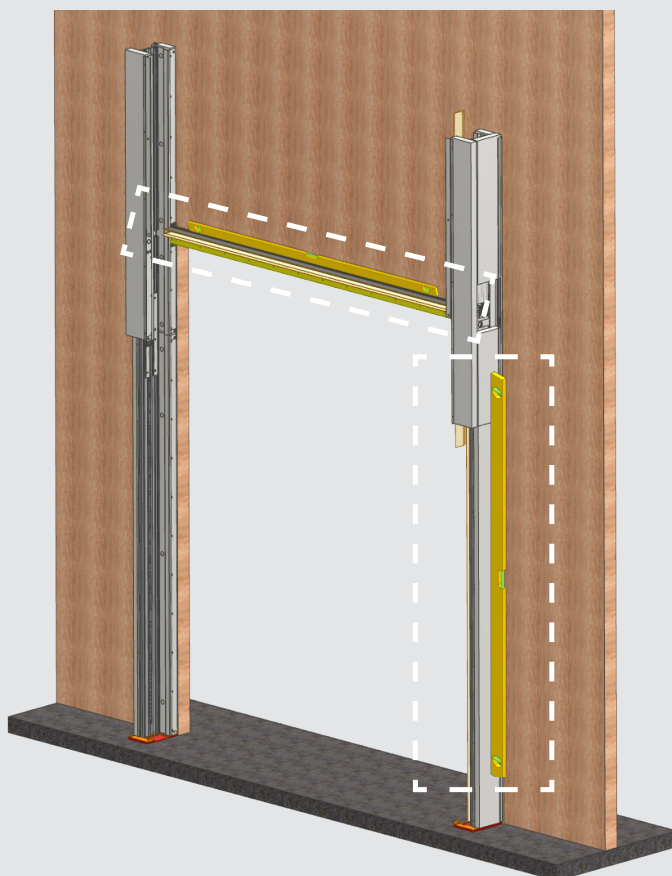
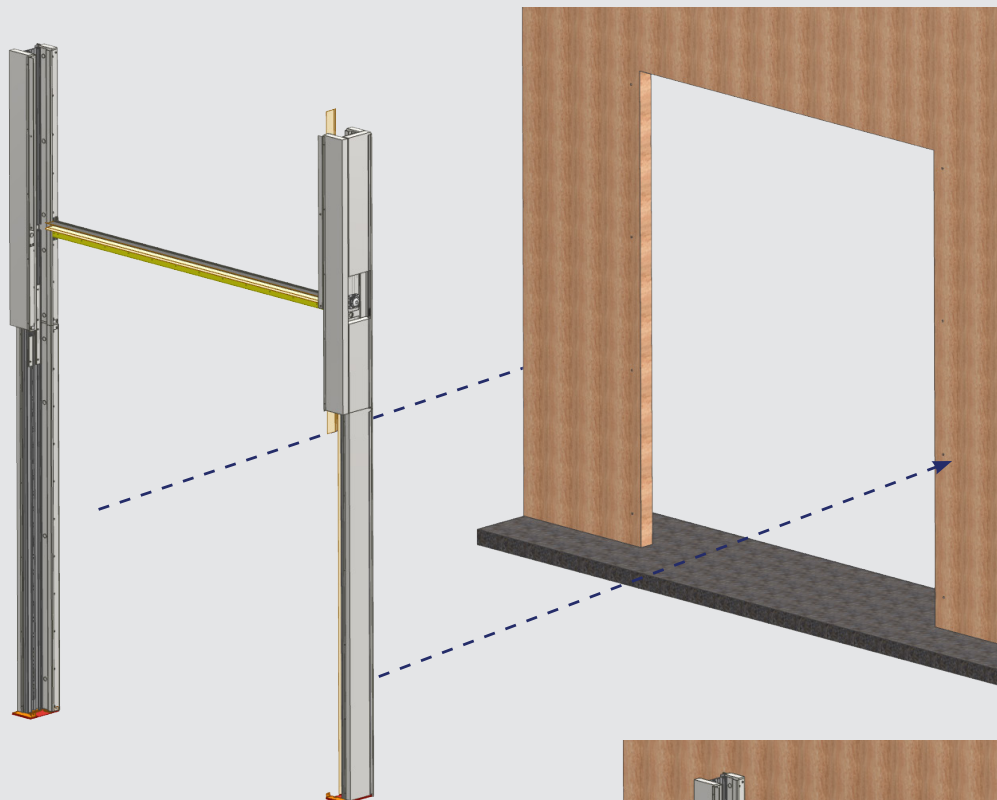
8 / Attach the frame top to both frame legs with three bolts



Fitting instruction

AVR1001F

9 / Lift and place the frame against the wall

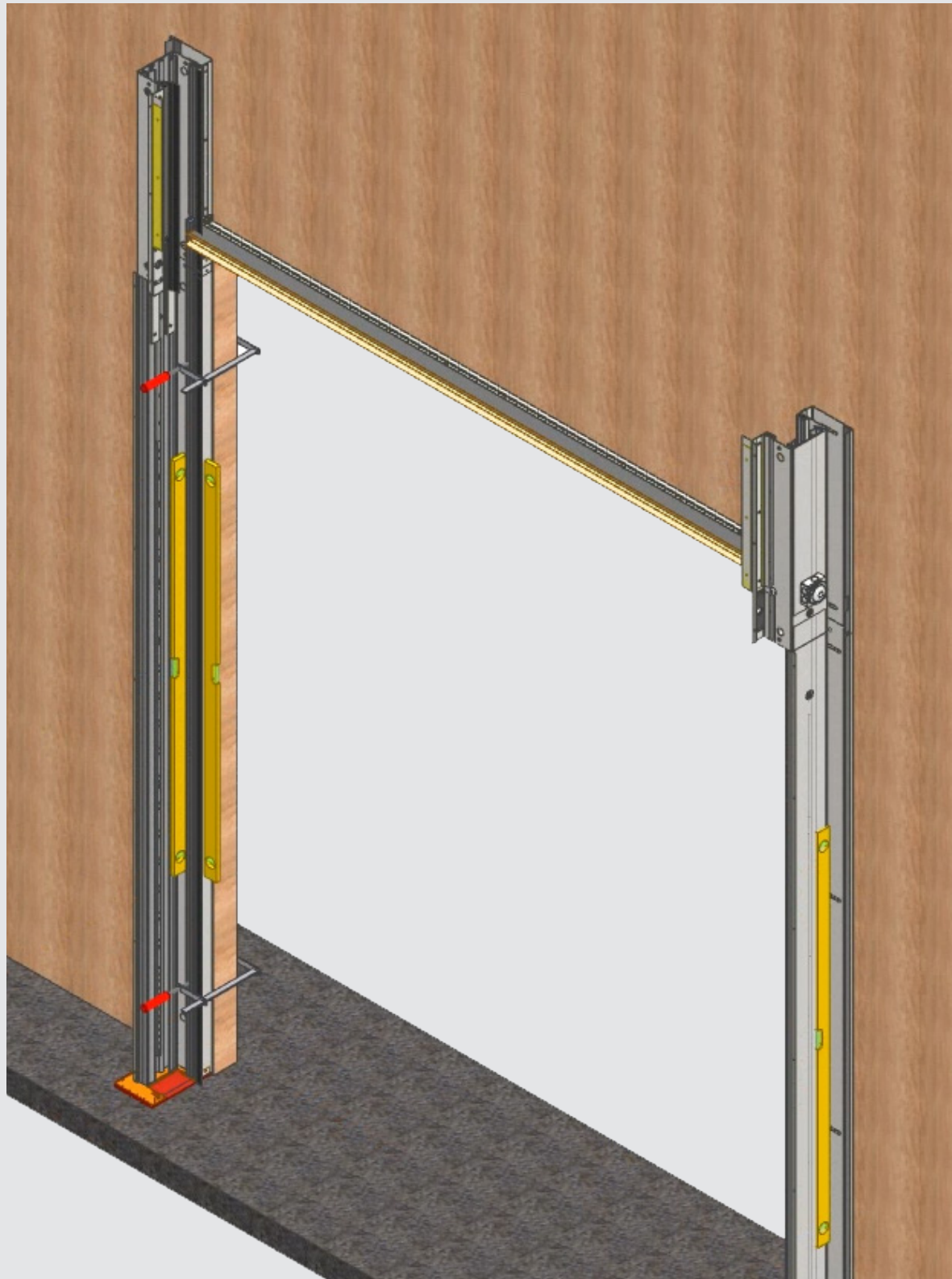


**PLEASE NOTE: CAREFULLY ADJUST
THE FRAME IN PLUMB AND LEVEL**

Fitting instruction

AVR1001F

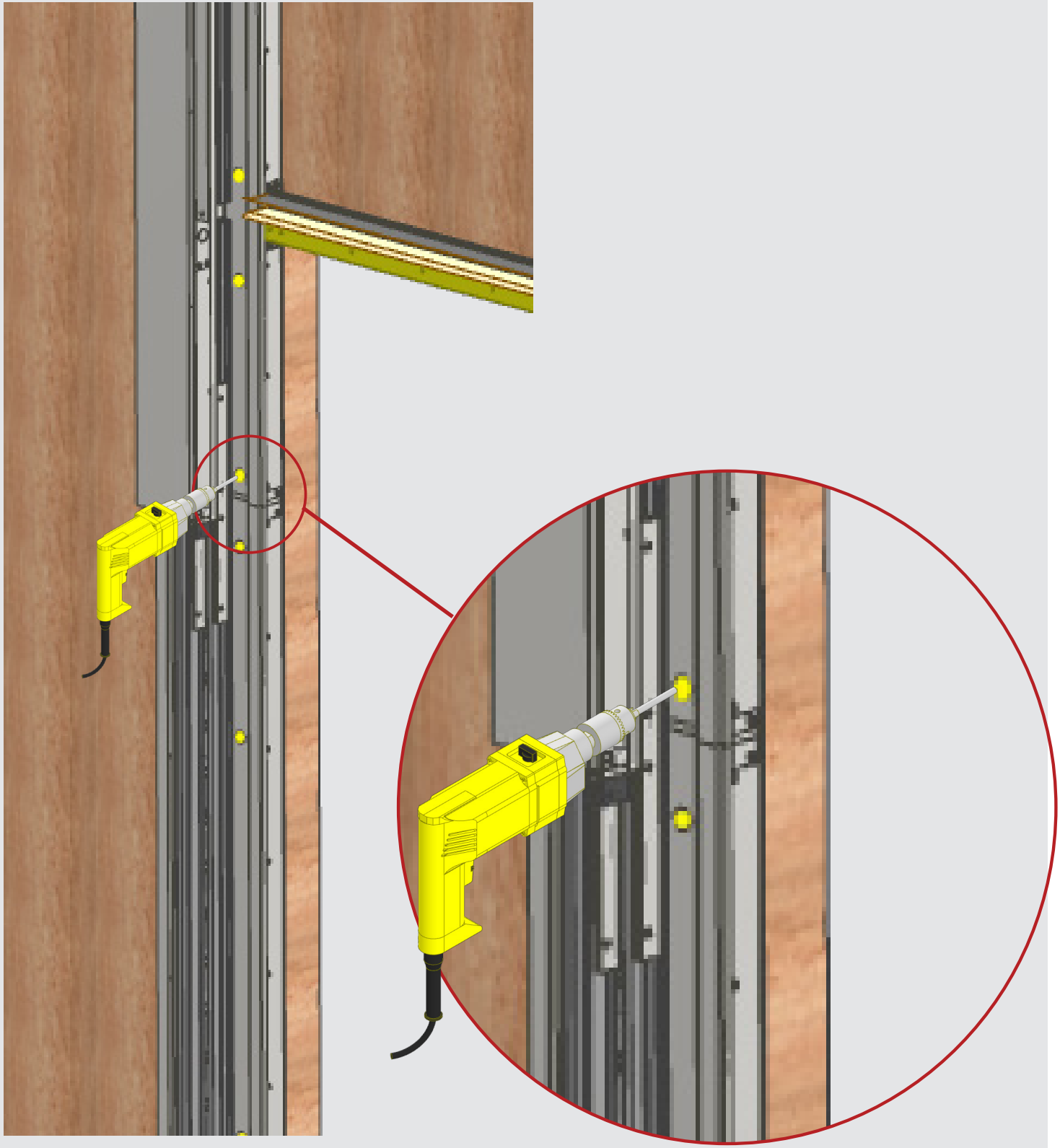
10 / Clamp the frame to the wall with a clamp



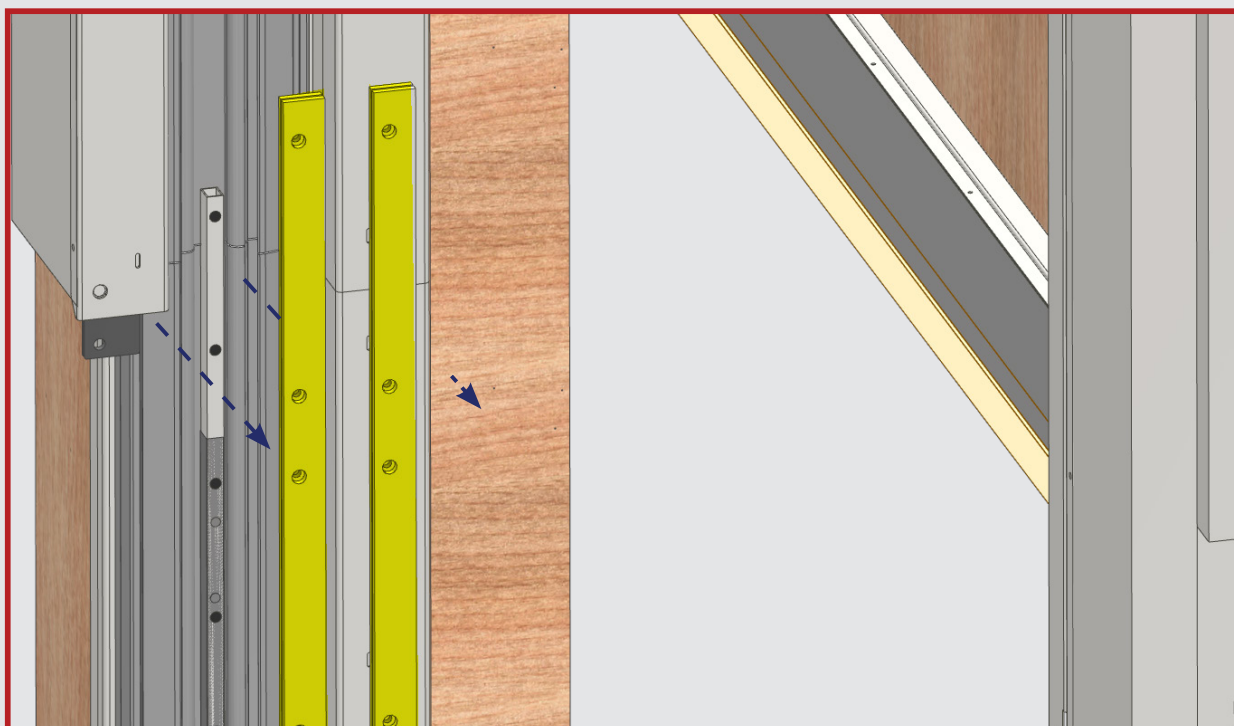
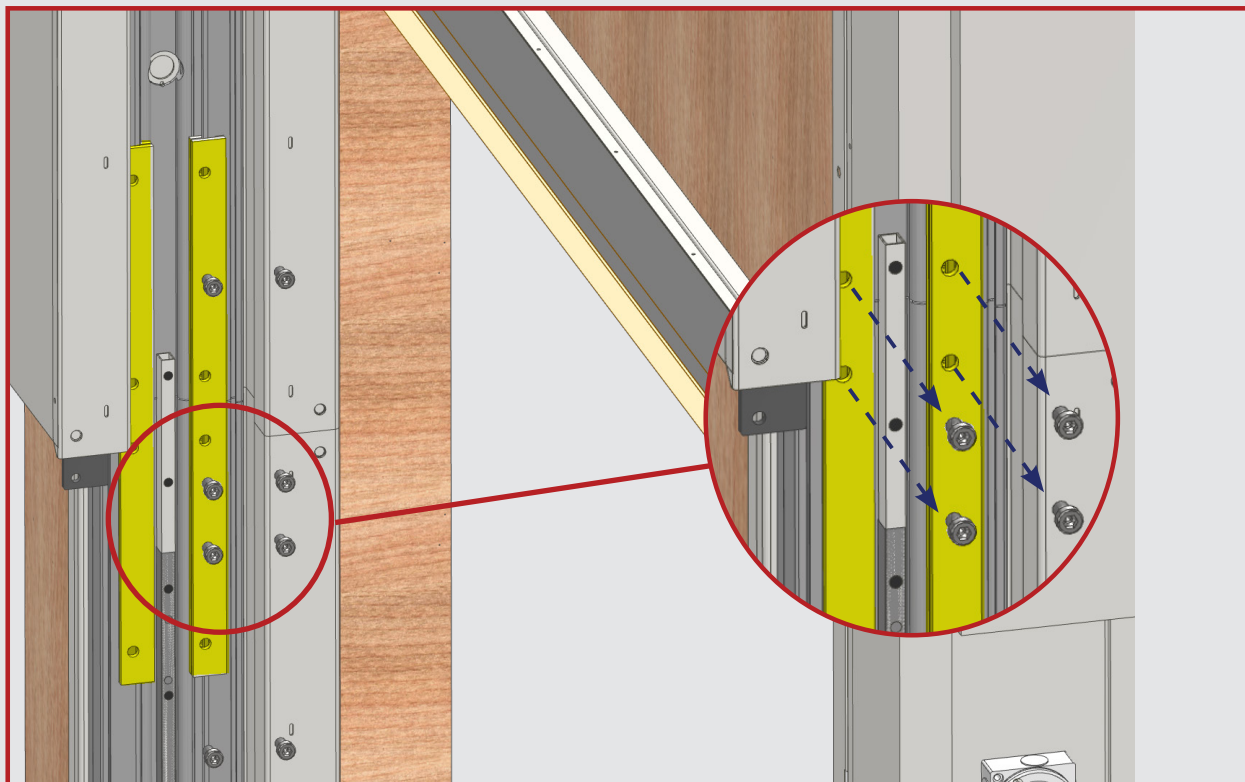
Fitting instruction

AVR1001F

11 / Attach with screws the frame to the wall



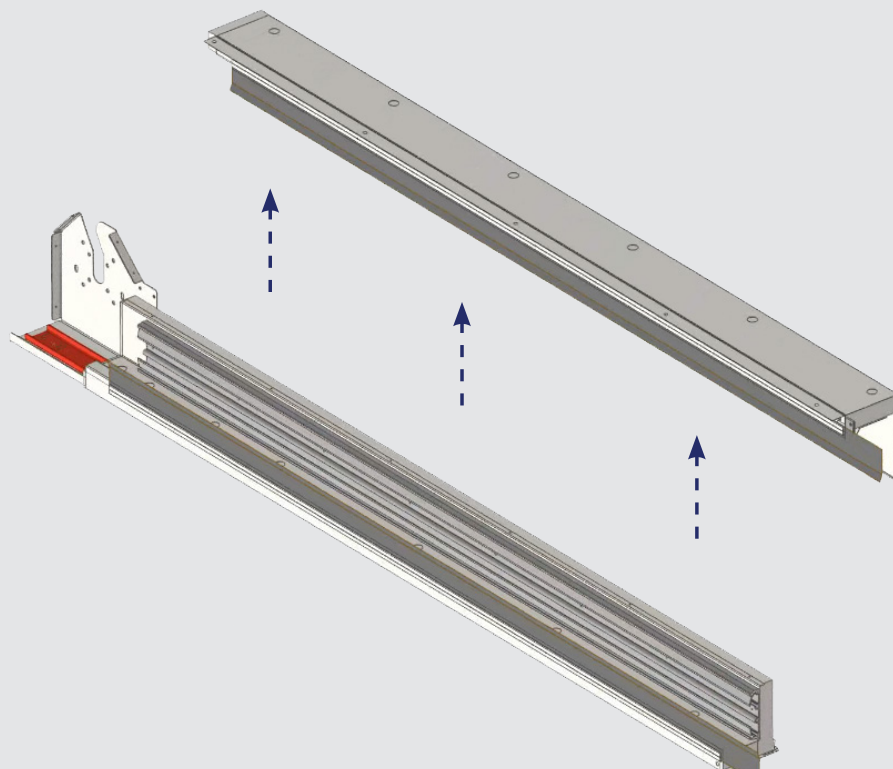
12 / Disassemble the reinforcement brackets and remove them on both sides



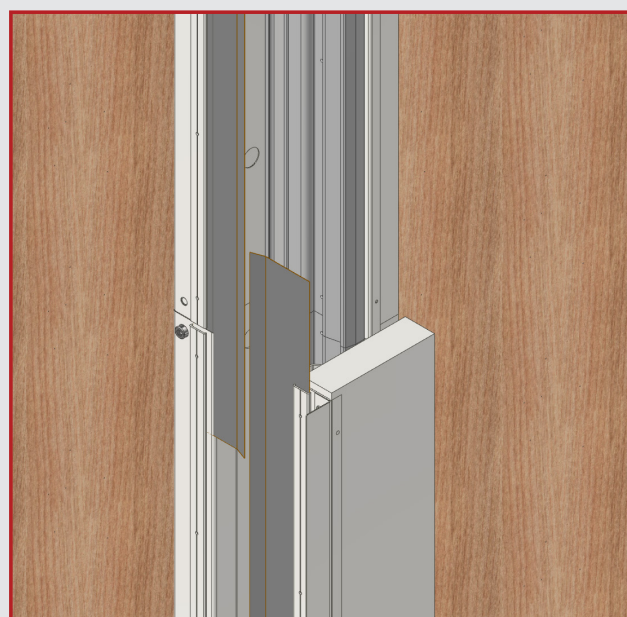
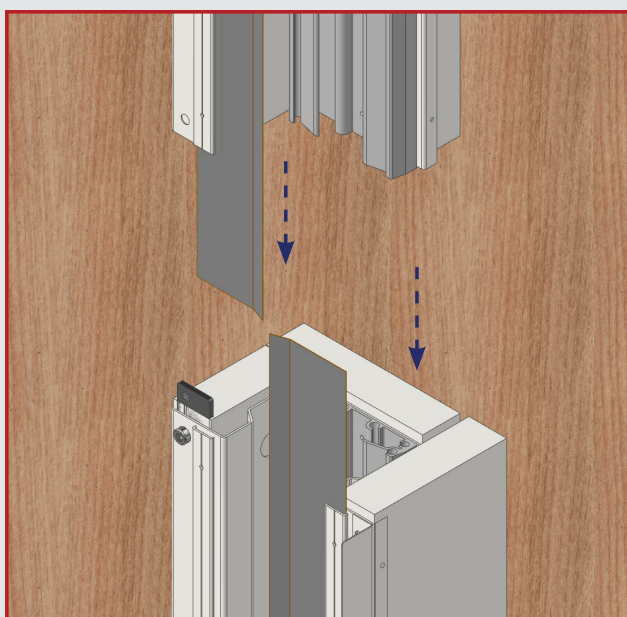
Fitting instruction

AVR1001F

13 / Remove the outer part of the top frame legs (including the insulation bats)



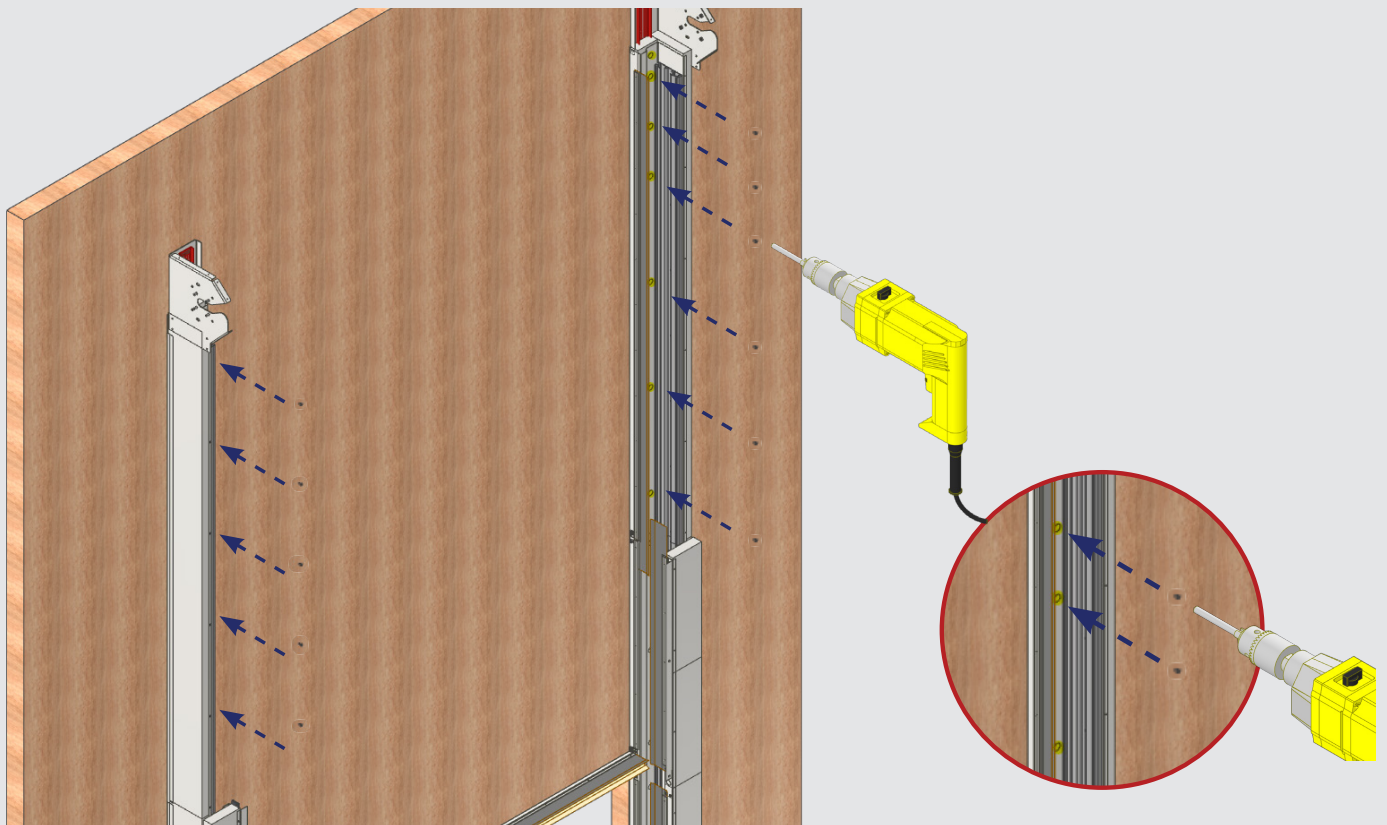
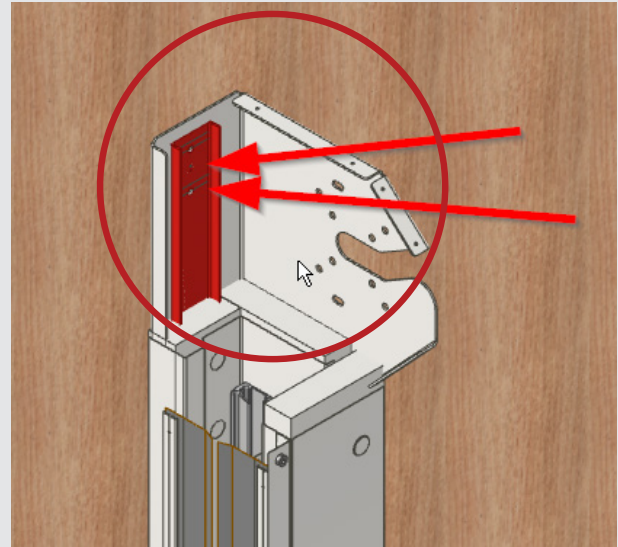
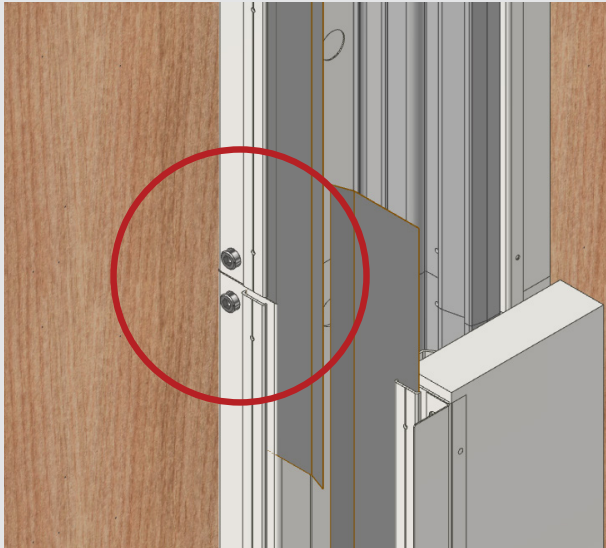
14 / Place the top frame legs on the middle frame legs



Fitting instruction

AVR1001F

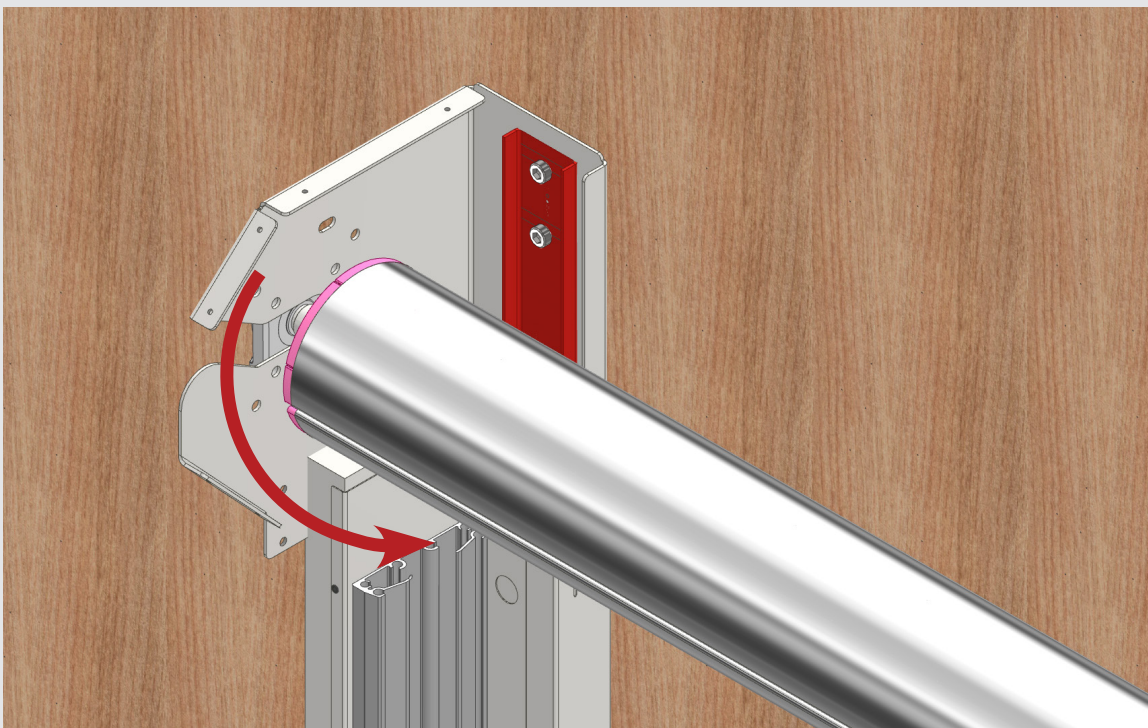
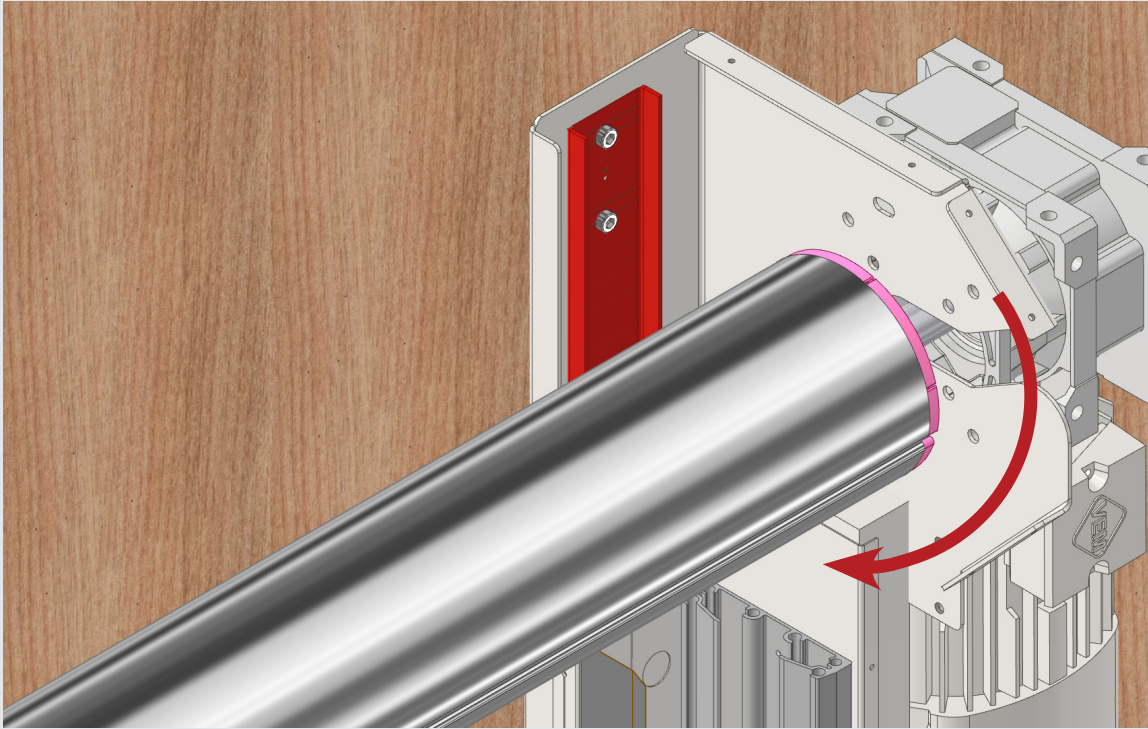
15 / Attach the top frame legs with screws



Fitting instruction

AVR1001F

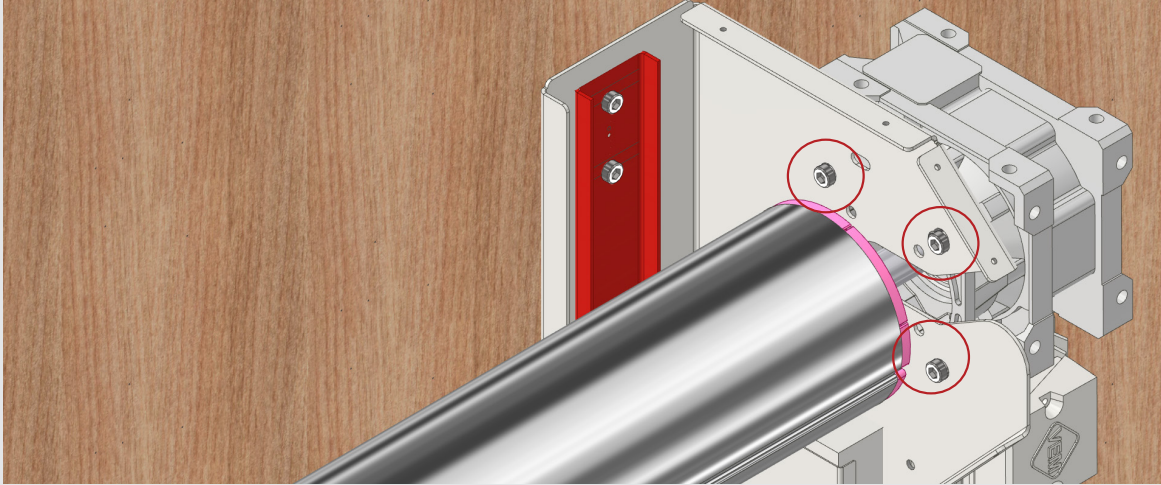
16 / Mount the center tube



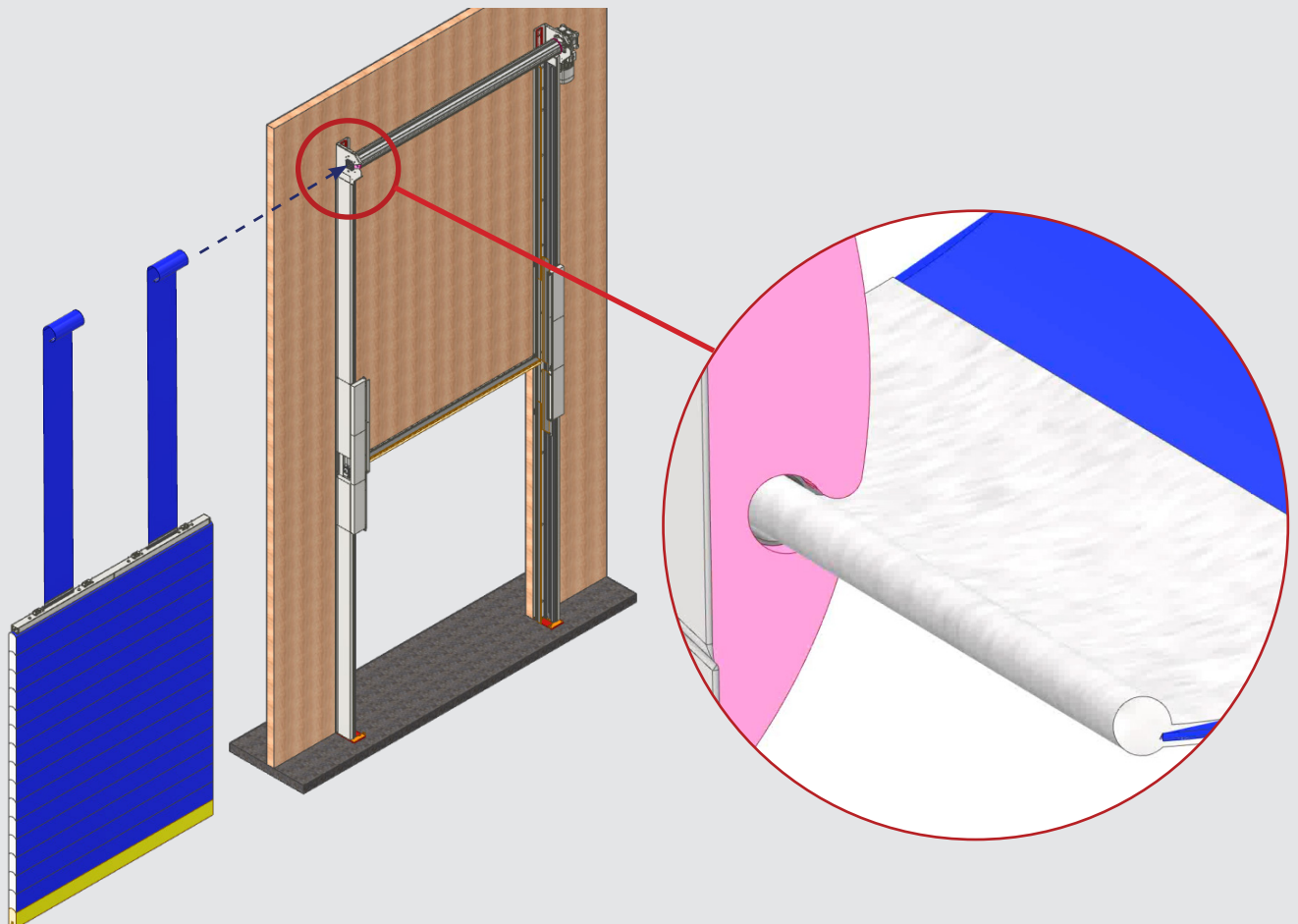
Fitting instruction

AVR1001F

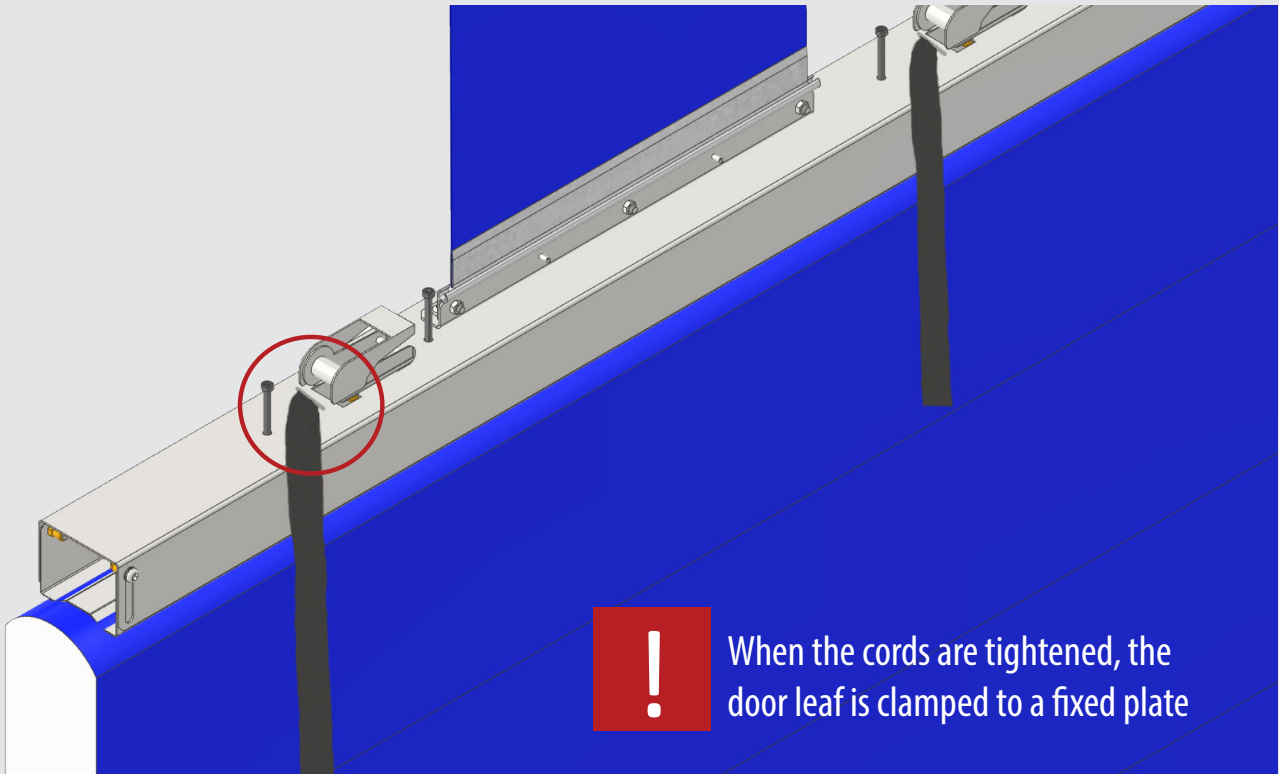
17 / Attach the center tube with screws



18 / Mount the door leaf by sliding it on to the tube from the side



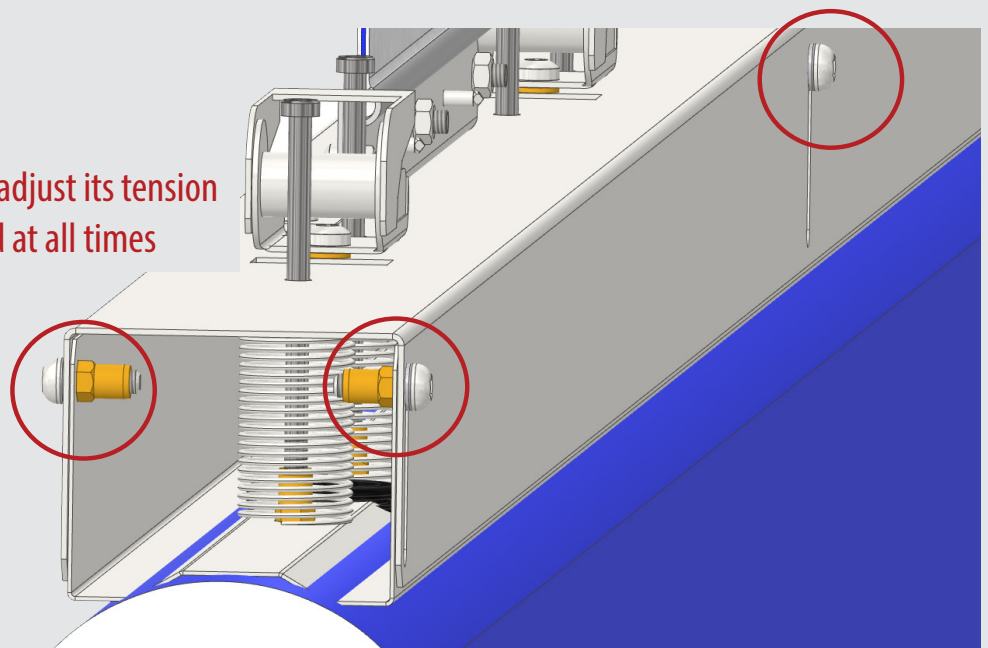
19 / Tighten the cords that go from the bottom of the door leaf to the top



20 / Loosen the bolts holding the vertical tensioner together.



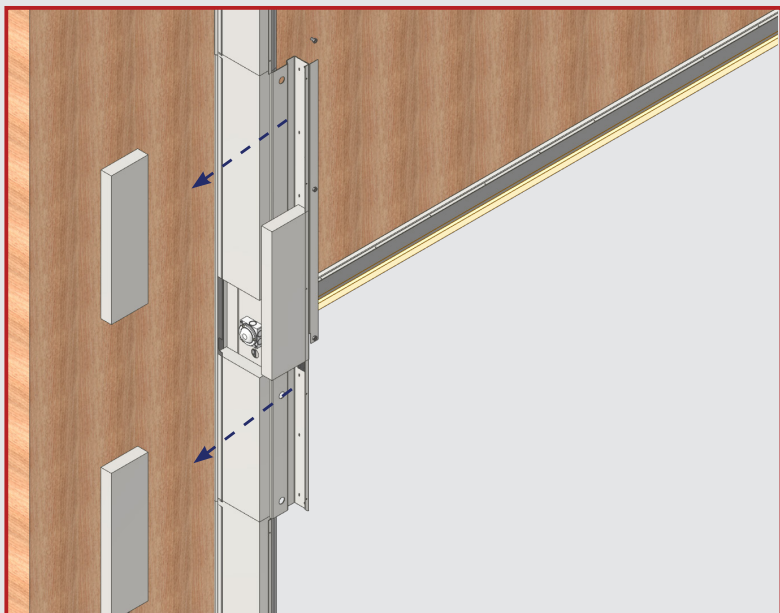
This ensures that the spring can adjust its tension and keep the door leaf tightened at all times



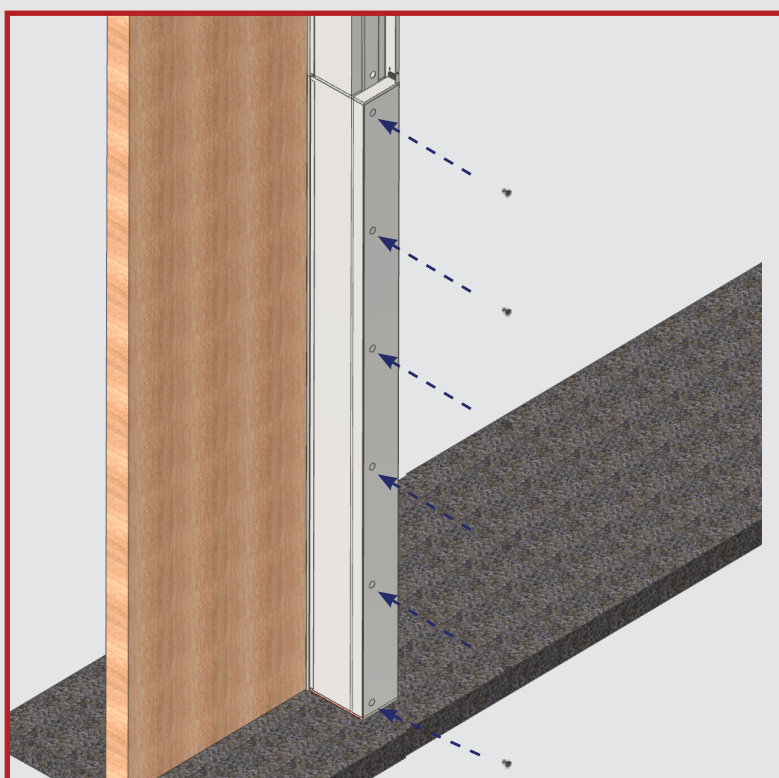
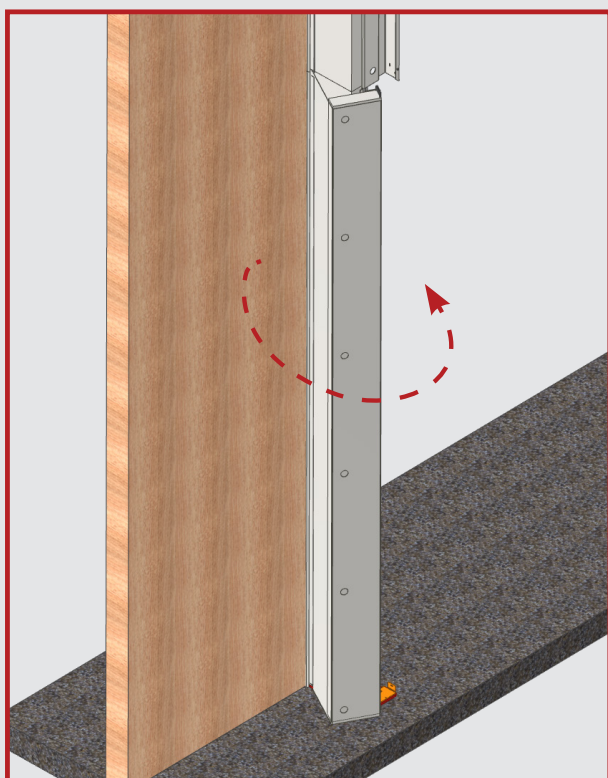
Fitting instruction

AVR1001F

21 / Remove temporarily the outer top and bottom insulation on the middle frame



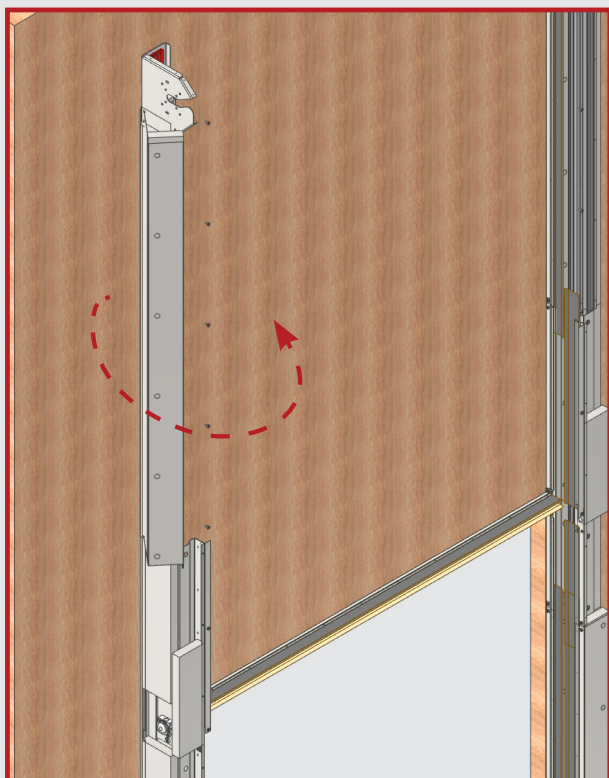
22 / Re-attach the shield from the lower frame leg - including insulation. Attach with screws



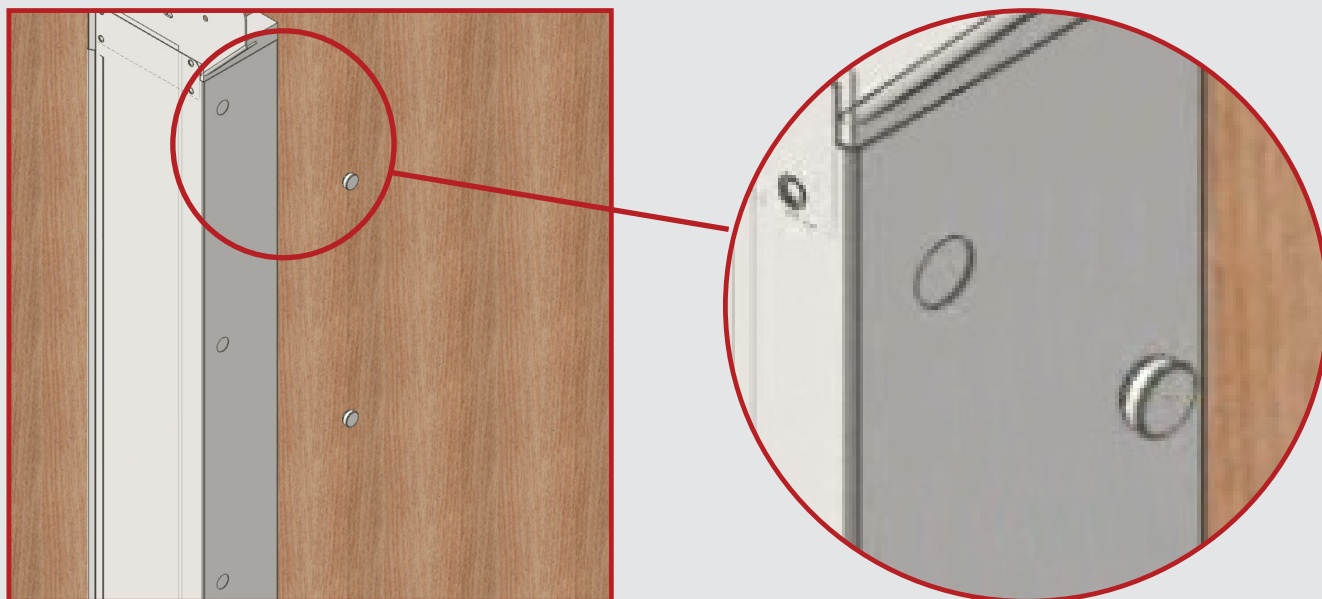
Fitting instruction

AVR1001F

23 / Same procedure with the shield from the top frame leg.



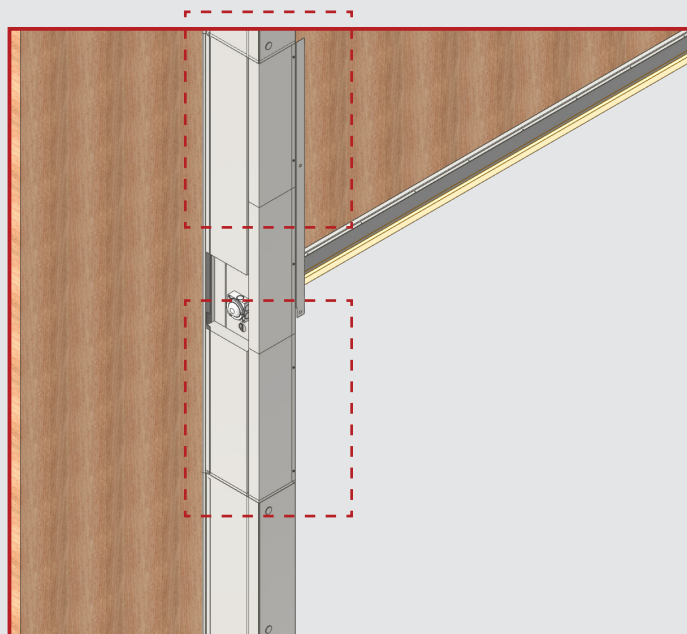
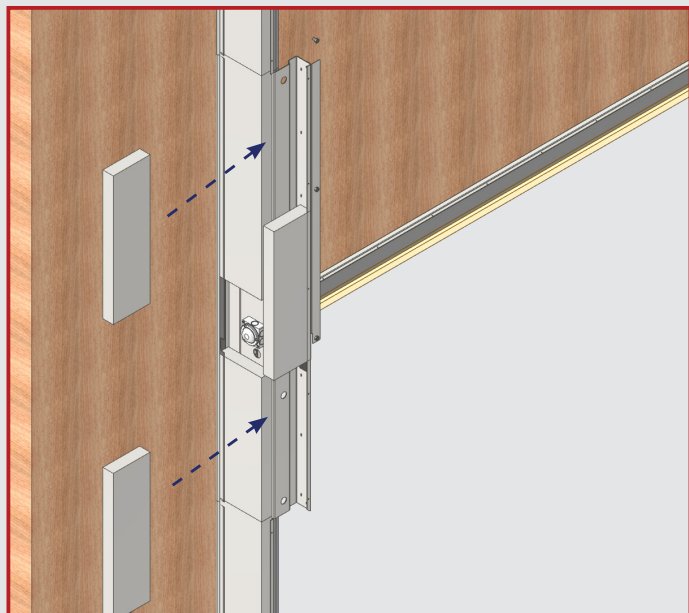
24 / Close the hole with plugs.



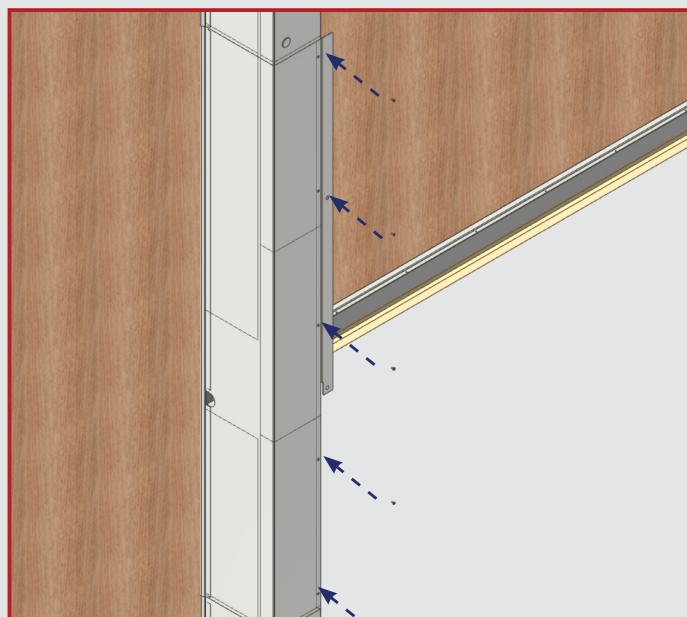
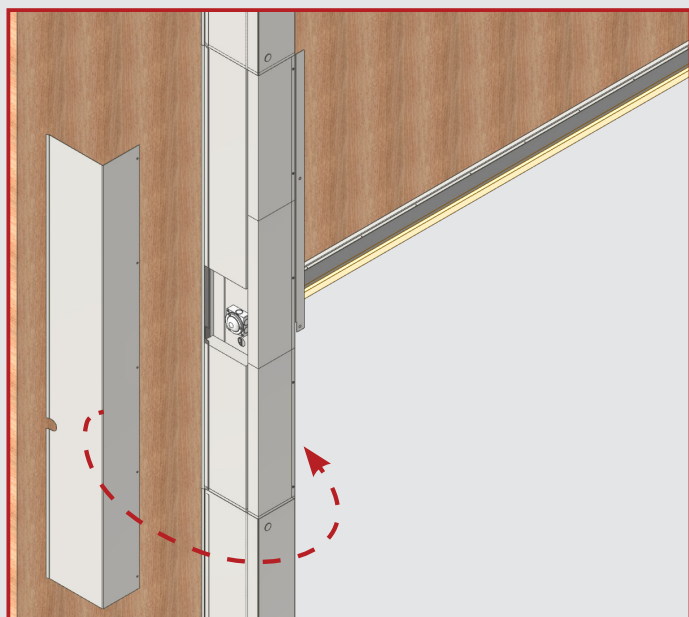
Fitting instruction

AVR1001F

25 / Re-install the removed top and bottom insulation bats from the middle frame legs.



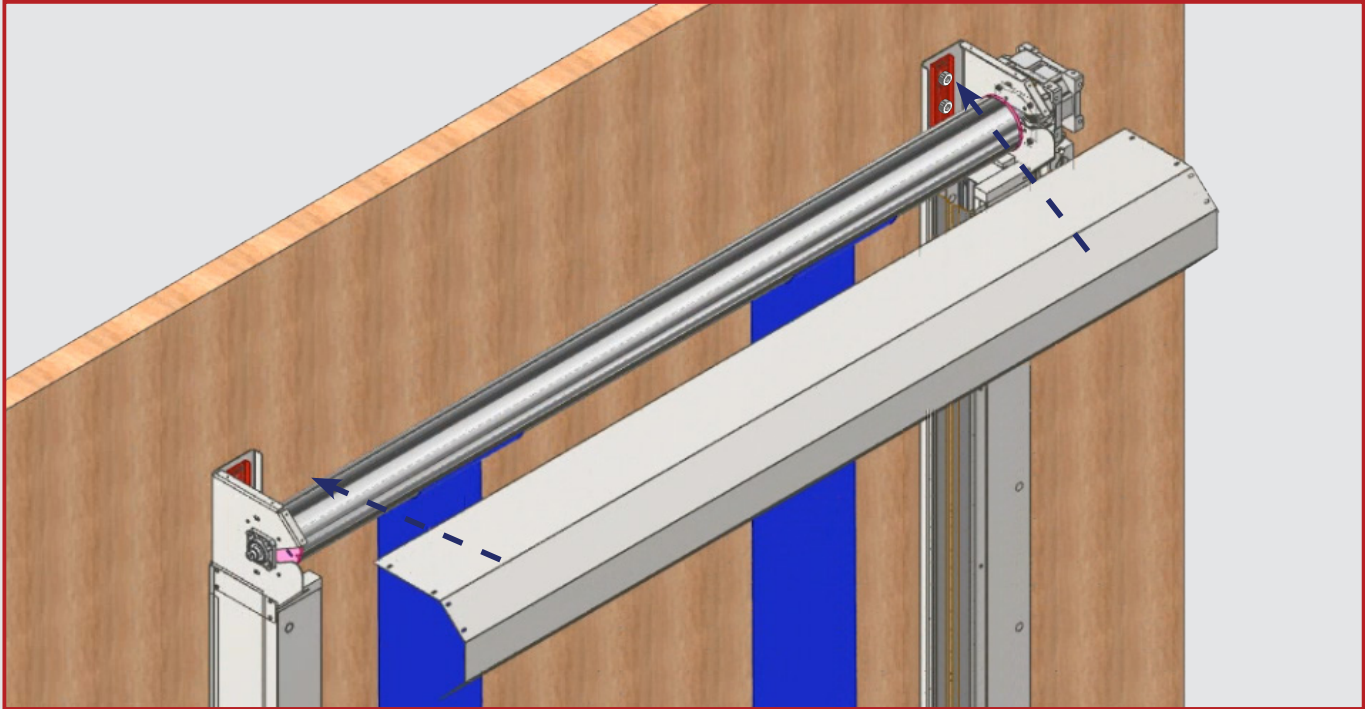
26 / Replace the removed outer shield from the middle frame leg and attach with screws.



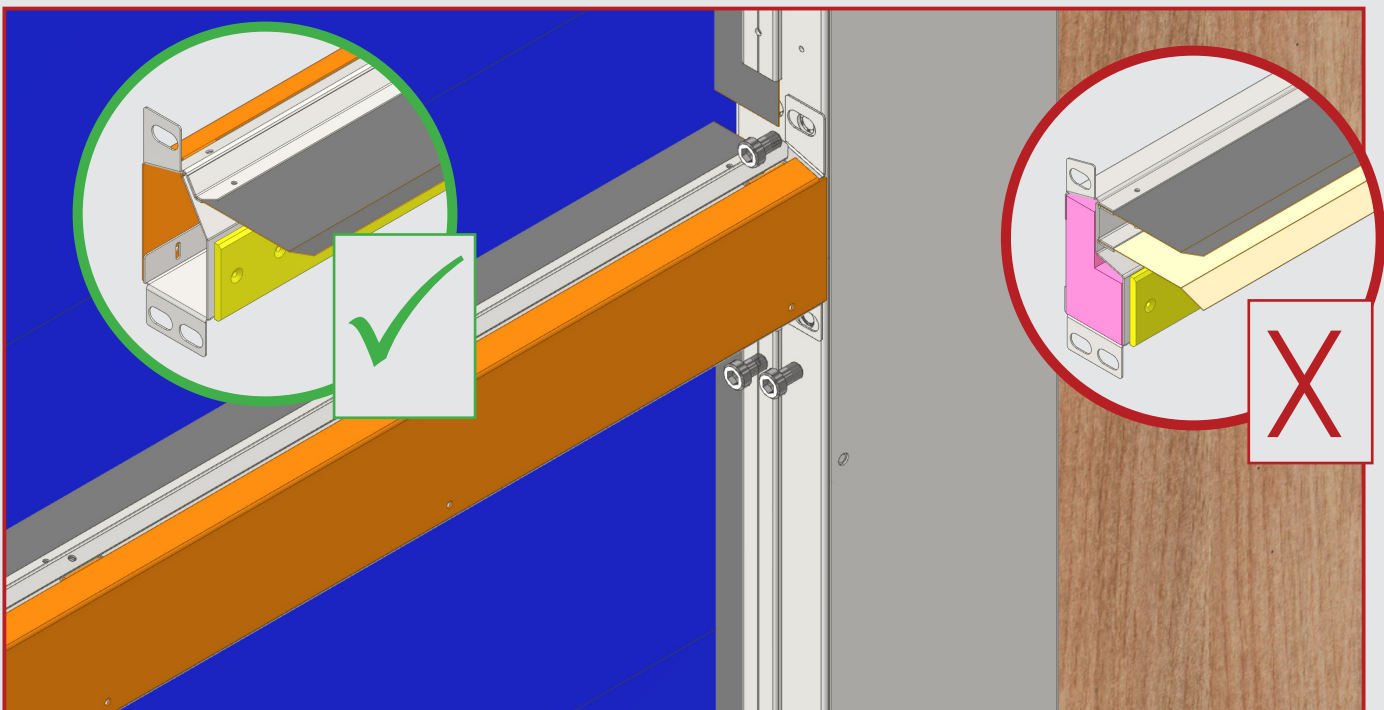
Fitting instruction

AVR1001F

27 / Attach the top shields with screws.



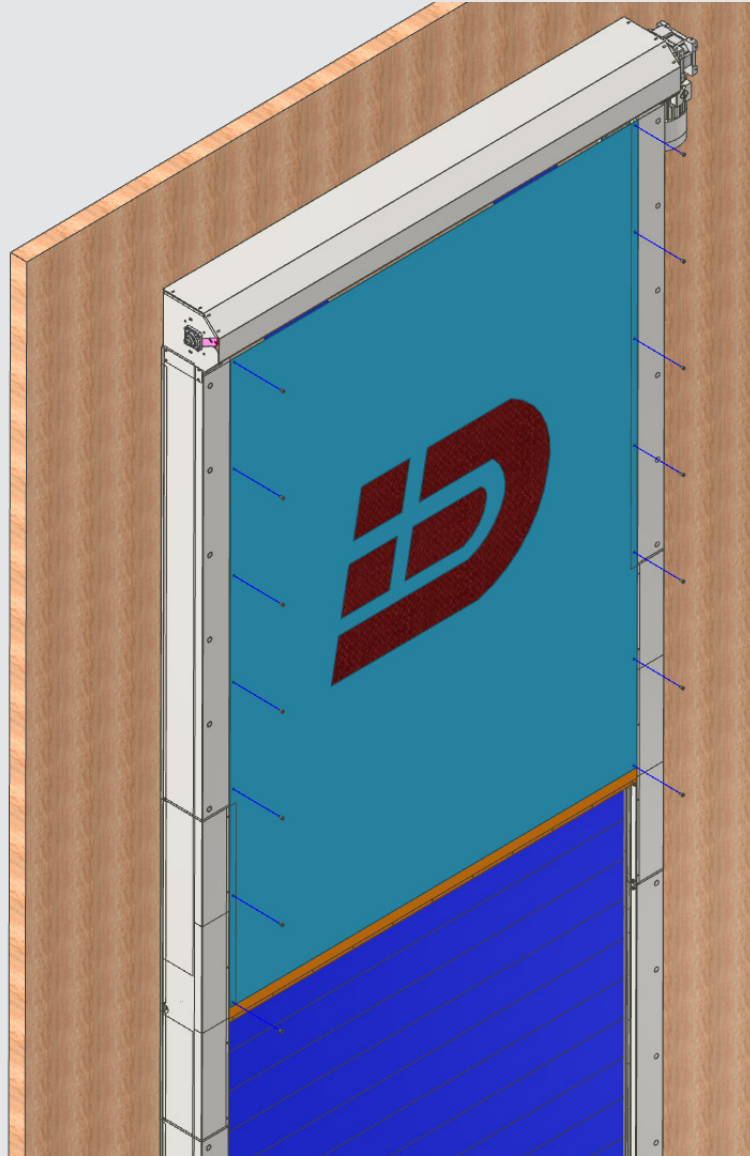
28 / Mount the outer frame top and attach with screws.



Fitting instruction

AVR1001F

29 / Attach with screws the cover cloth.



Scan the QR-code to see a video.

